

# aiwa

## HS-RX418

STEREO RADIO CASSETTE PLAYER  
RADIORREPRODUCTOR DE CASSETTE ESTEREOFONICO

### OPERATING INSTRUCTIONS INSTRUCCIONES DE MANEJO MODE D'EMPLOI

AIWA CO.,LTD.

 <http://www.aiwa.co.jp>

8B-HR7-901-01  
010301AYO-OX  
Printed in Hong Kong

ENGLISH

### OWNER'S RECORD

For your convenience, record the model number and serial number (you will find it in the cassette holder of your set) in the space provided below. Please refer to them when you contact your AIWA dealer in case of difficulty.

Model No.

Serial No.

Highlighted letters and numbers in the text of this manual correspond to the illustrations.

### PRECAUTIONS

#### To maintain good performance

Do not use the unit in places which are extremely hot, cold, dusty or humid. In particular, do not keep the unit:

- in a high humidity area such as a bathroom
- near a heater
- in an area exposed to direct sunlight (e.g., inside a parked car, where it can become extremely hot)



#### Note on listening with the headphones

- Listen at moderate volumes to avoid hearing damage.
- Do not wear the headphones while driving or cycling. It may create a traffic hazard.
- You should use extreme caution or temporarily discontinue use in potentially hazardous situations, such as walking, jogging, etc.
- Wear them properly; L is left, R is right.

#### Cassette tapes

- Take up any slack in the tape with a pencil or similar tool before use. Slack tape may break or jam in the mechanism. → **A**
- 100-minute or longer tapes are extremely thin and easily deformed or damaged. They are not recommended.

### USING ON DRY CELL BATTERIES → **B**

Open the battery compartment and insert two size AA (R6) dry cell batteries with the  and  marks correctly aligned.

#### Battery life (EIAJ 0.2 mW using alkaline batteries LR6)

Playback	Approx. 30 hours
----------	------------------

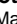
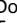
#### Battery replacement

Replace the batteries with new ones when the OPE/BATT indicator becomes dim during playback. If the unit remains in use after the OPE/BATT indicator becomes dim, "beep" is heard several times and operation stops.

#### To maintain preset data

- When replacing the batteries, the unit will retain the preset station frequencies for about 5 minutes. To prevent the erasure of the memories, replace the batteries within 5 minutes.
- If non remote control headphones are used, unplug the headphones before taking out the batteries.

#### Note on dry cell batteries

- Make sure that the  and  marks are correctly aligned.
- Do not mix different types of batteries, or an old battery with a new one.
- To prevent the risk of electrolyte leakage or explosions, never recharge the batteries, apply heat to them, or take them apart.
- When not using the batteries, remove them to prevent needless battery wear.
- If liquid leaks from the batteries, wipe thoroughly to remove.

### USING ON AC HOUSE CURRENT → **C**

Contact your nearest Aiwa service personnel and purchase an AC adaptor Aiwa AC-D302.

Connect the AC adaptor.

- ① to DC 3 V jack
- ② to a wall outlet

### HOLD SWITCH → **D**

When operating with the main unit, release HOLD on the main unit. → **Ⓐ**


When operating with the remote control, release HOLD on the remote control. → **Ⓑ**

When not using the unit, set both HOLD to the hold position. → **Ⓒ**

Accidentally pressed buttons will not function.

If buttons on the main unit are pressed when the HOLD switch is set to the HOLD position, "hold" flashes in the display.

### PLAYBACK → **E**

- Use only Type I (normal) tapes.
- Connect the supplied headphones to the remote control, then connect the remote control to the  jack on the main unit.

#### 1 Release HOLD.

#### 2 Insert a cassette.

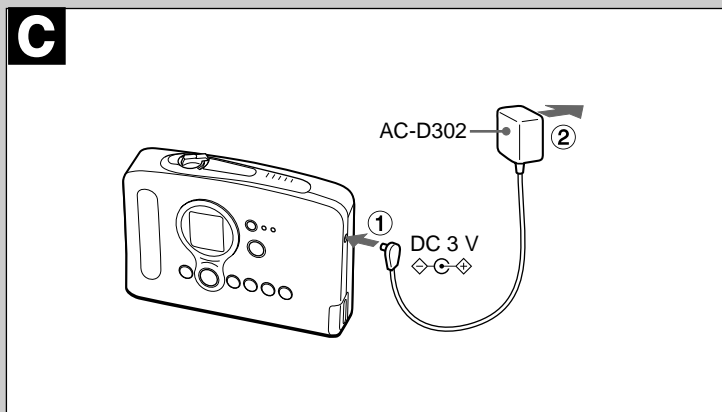
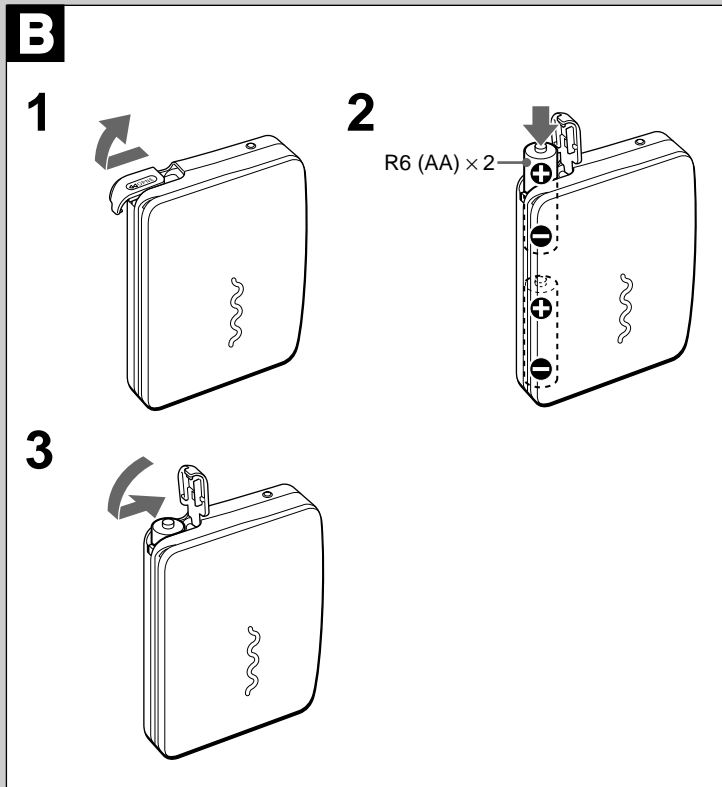
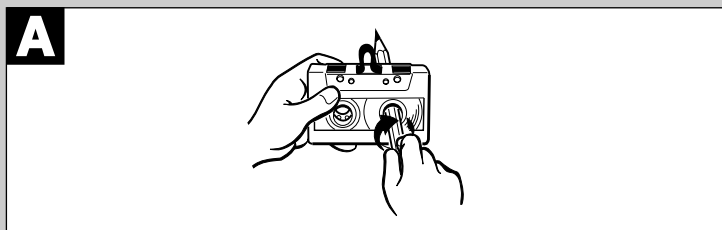
Turn OPEN in direction of the arrow to open the cassette holder, and insert a cassette.

**Ⓐ** Front side

**Ⓑ** Reverse side

#### 3 Press the button.

Playback starts from the front side. The OPE/BATT indicator lights up.



4 Adjust the volume. Playback starts from the front side. The OPE/BATT indicator lights up.

### Basic operation

Press the following buttons.

To fast forward	the FF button
To rewind	the REW button
To stop	the ■ button on the main unit the ■ RADIO OFF button on the remote control
To change the playback side	the ◀▶ button during playback

- If you press the FF or REW button during playback, playback starts automatically when the end of the tape is reached.

### Note

After you press a button, if "beep" is heard several times and then operation does not start, check to see that the batteries do not wear out.

### Super bass

Press the 5 S-BASS button to emphasize the low frequencies. **S-BASS** appears in the display. Press the button again to resume the normal sound. **S-BASS** disappears from the display.

### To repeat a 5-second phrase

Press the +5 PHRASE button during playback. The tape is rewound to a point approximately \*5 seconds before the point where the button was pressed and playback resumes automatically.

\* The time may vary according to the playback point of the tape when the button is pressed.

### Tape direction memory

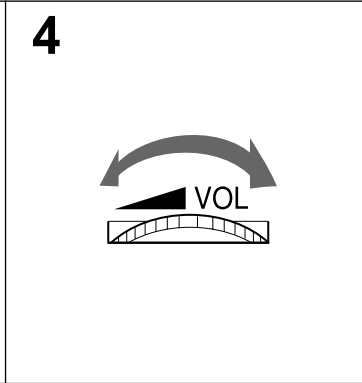
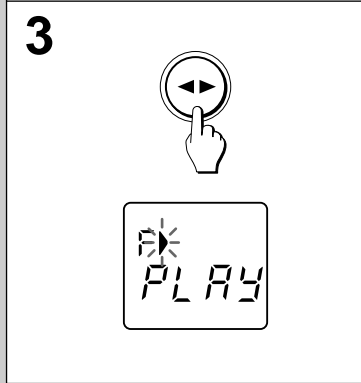
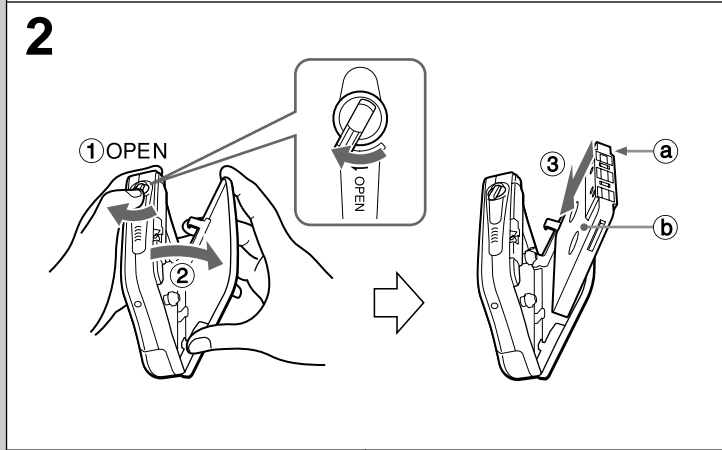
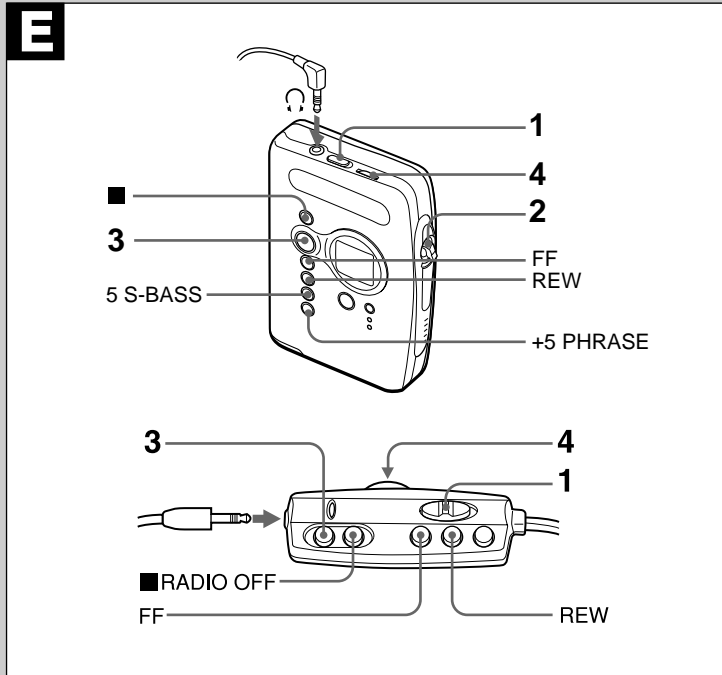
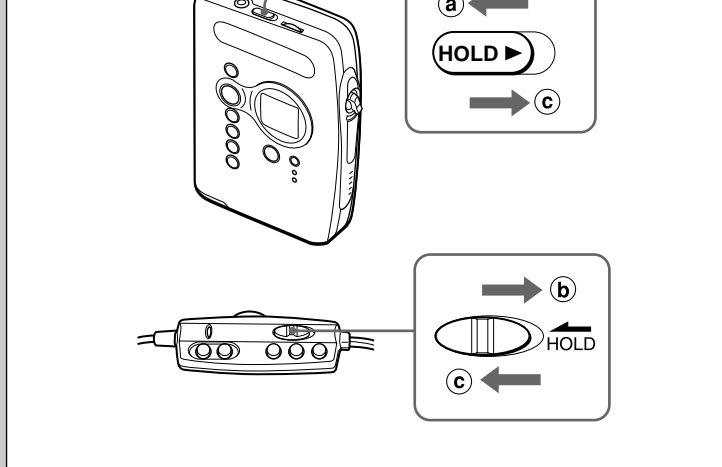
The playback side does not change when the tape stops. The next time ◀▶ button is pressed, playback starts on the same side. However, playback starts from the front side of the tape after:

- The cassette holder is opened.
- The dry cell batteries are removed.

### Caution

Do not force the cassette holder to open if the cassette cannot be taken out. In this case, close the cassette holder once, press the ◀▶ button and after a few seconds press the ■ button.

When the tape stops completely, open the cassette holder.



### NOTE FOR USE IN THE U.S.A.

This equipment has been tested and found to comply with the limits for a Class B digital device, pursuant to Part 15 of the FCC Rules. These limits are designed to provide reasonable protection against harmful interference in a residential installation. This equipment generates, uses, and can radiate radio frequency energy and, if not installed and used in accordance with the instructions, may cause harmful interference to radio or television reception. However, there is no guarantee that interference will not occur in a particular installation. If this equipment does cause harmful interference to radio or television reception, which can be determined by turning the equipment off and on, the user is encouraged to try to correct the interference by one or more of the following measures:

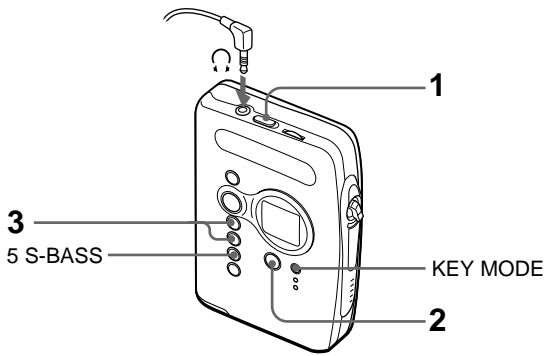
- Reorient or relocate the receiving antenna.
- Increase the separation between the equipment and receiver.
- Connect the equipment into an outlet on circuit different from that to which the receiver is connected.
- Consult the dealer or an experienced radio/TV technician for help.

### CAUTION

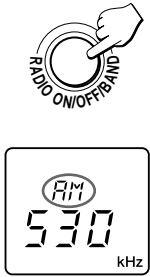
Modifications or adjustments to this product, which are not expressly approved by the manufacturer, may void the user's right or authority to operate this product.

This device complies with Part 15 of the FCC Rules. Operation is subject to the following two conditions: (1) This device may not cause harmful interference, and (2) this device must accept any interference received, including interference that may cause undesired operation.

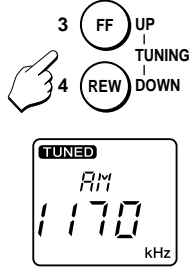
**F**



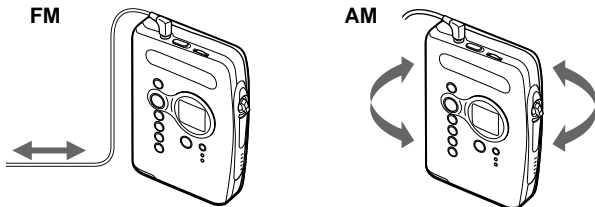
**2**



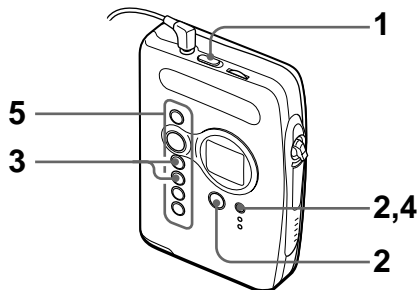
**3**



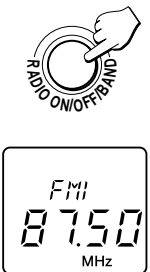
**G**



**H**



**2**



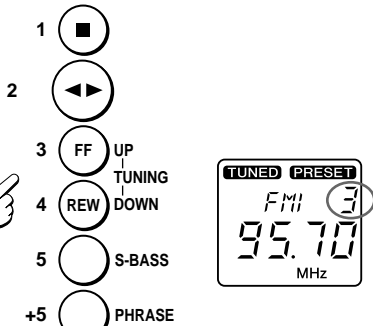
**3**



**4**



**5**



**TUNING IN TO A STATION → F**

- 1 Release the HOLD switch.
- 2 Press the RADIO ON/OFF/BAND button repeatedly to select AM, FM1 or FM2. FM 1 and FM 2 have the same frequency range and both can be used to tune in to an FM station. If **PRESET** is displayed in the display, press the KEY MODE button. **PRESET** disappears.
- 3 Press the UP or DOWN button to tune in to a station.

After listening, press the RADIO ON/OFF/BAND button repeatedly to turn off the radio. When operating with the remote control, press the **RADIO OFF** button.

- You can turn off the radio by keeping the RADIO ON/OFF/BAND button on the main unit pressed for 2 seconds during radio reception.

**For quick tuning**

Keep either the UP or DOWN button pressed, then the frequency in the display changes rapidly. When the button is released, the frequency changes with a slower speed. If a station is tuned in to, **TUNED** appears, however, the frequency does not stop. To stop tuning, press either UP or DOWN button.

**Super bass**

Press the 5 S-BASS button to emphasize the low frequencies. **S-BASS** appears in the display. Press the button again to resume the normal sound. **S-BASS** disappears from the display. If **PRESET** is displayed, press the KEY MODE button repeatedly until **PRESET** disappears. And then press the 5 S-BASS button.

**For better reception → G**

FM: The headphone cord functions as the antenna. Keep it extended.  
AM: Turn the unit to find the position that gives best reception.

**About the FM stereo broadcast**

The FM broadcast is received in stereo. However, the sound may be heard in monaural when the FM stereo signal is weak.

**PRESETTING STATIONS → H**

A total of 30 stations can be preset, 10 stations for each AM, FM1 and FM2 band.

- 1 Release the HOLD switch.
- 2 Press the RADIO ON/OFF/BAND button to select AM, FM1 or FM2. If **PRESET** is displayed in the display, press the KEY MODE button repeatedly until **PRESET** disappears.
- 3 Press the UP or DOWN button to tune in to a station.
- 4 Press the KEY MODE button repeatedly until **PRESET** appears in the display.
- 5 Keep one of the numeric (1 – 5) buttons pressed for 2 seconds to select the preset number. For preset number 6 and above, press and release the +5 button first. Example: To select preset number 8, press and release the +5 button. While "5" is flashing, press the 3 button for 1 – 2 seconds. Beep sound is heard and the station is preset.

To preset two or more stations, repeat the procedure from step 1.

**To change the presetting**

Repeat the procedure from step 1.

**Listening to preset stations → I**

- 1 Release the HOLD switch.
- 2 Press the RADIO ON/OFF/BAND button to select AM, FM1 or FM2.
- 3 Press the KEY MODE button repeatedly until **PRESET** appears in the display.
- 4 Press and release the numeric (1 – 5) buttons to select the desired preset number. For preset number 6 and above, press and release the +5 button first. Example: To select preset number 8, press and release the +5 button. While "5" is flashing, press and release the 3 button.

After listening, press the RADIO ON/OFF/BAND button repeatedly to turn off the radio. When operating with the remote control, press the **RADIO OFF** button.

- You can turn off the radio by keeping the RADIO ON/OFF/BAND button on the main unit pressed for 2 seconds during radio reception.

**When operating with the remote control**

You can skip the step 3. Press the PRESET **+** or **-** button repeatedly in step 4 to select the preset number.

**Note**

While **PRESET** is displayed, the S-BASS button functions as only 5 button. To emphasize the low frequencies, press the KEY MODE button repeatedly until **PRESET** disappears, then press the S-BASS button.

**Caution**

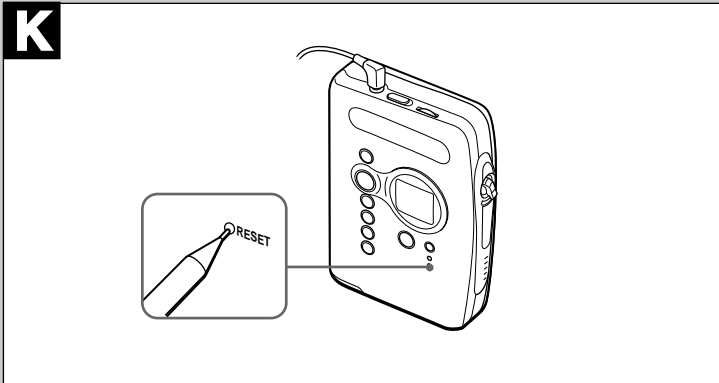
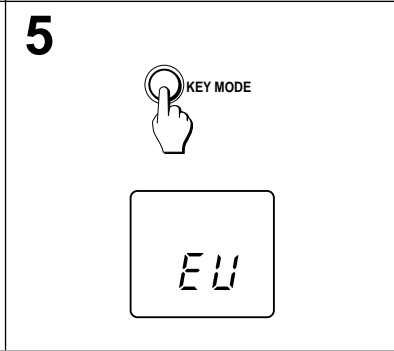
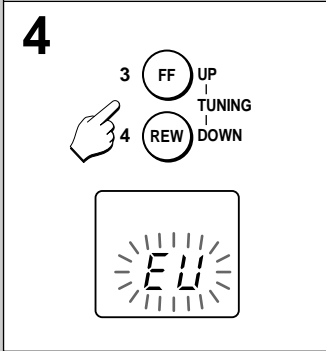
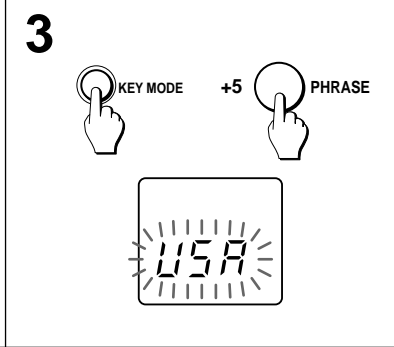
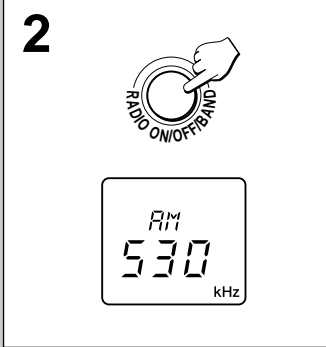
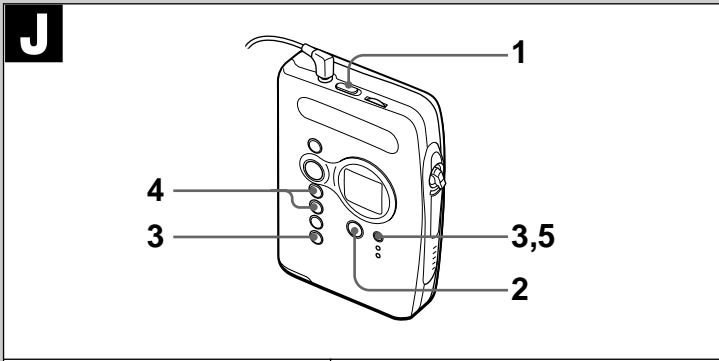
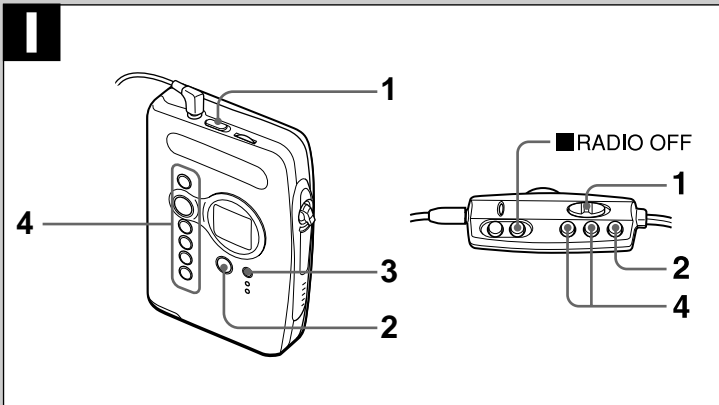
When selecting a preset station, DO NOT HOLD the numeric (1 – 5) buttons for more than a second. Otherwise, currently-tuned station will be preset to that button instead.

**WORLD AREAS → J**

Radio broadcasts have different frequency ranges and change in different steps in different countries.

This unit has three world reception areas: USA (North and South America), JP (Japan) and EU (other areas).

The reception area is factory-set to USA. Select JP to use in Japan and select EU to use in Europe and other areas.



### Selecting a reception area

- 1 Release the HOLD switch.
- 2 Press the RADIO ON/OFF/BAND button to turn on the radio.
- 3 While pressing the KEY MODE button, press the +5 button within 1 second.  
The reception area (USA, JP or EU) flashes for about 10 seconds.
- 4 Press the UP or DOWN button repeatedly to select the reception area while the reception area is flashing.
- 5 Press the KEY MODE button while the reception area is flashing.

After listening, press the RADIO ON/OFF/BAND button repeatedly to turn off the radio.

### If flashing stops during operation

Repeat the procedure from step 3.

### When the reception area is changed

The stations that you preset are erased.

## MAINTENANCE

### To clean the head and the tape path

After every 10 hours of use, clean the head and the tape path with a commercially available head cleaning cassette. For details, refer to the operating instructions of the head cleaning cassette. After cleaning the head and the tape path, wait until cleaned parts dry before inserting a cassette.

### To clean the cabinet

Use a soft cloth lightly moistened with a mild detergent solution. Do not use strong solvents such as alcohol, benzine or thinner.

### If erroneous operation or display occurs → [X]

Press the RESET button on the cassette holder with a thin rod to reset the unit. If the unit is reset, the stations that you preset are erased.

## SPECIFICATIONS

<b>Frequency range:</b>	AM 530 – 1,710 kHz (10 kHz steps)
<b>Reception area USA</b>	FM1, FM2 87.5 – 108.1 MHz (200 kHz steps)
<b>Reception area JP</b>	AM 531 – 1,629 kHz (9 kHz steps)
	FM1, FM2 76 – 108 MHz (100 kHz step in 76 – 90 MHz, 50 kHz step in 90 – 108 MHz)
<b>Reception area EU</b>	AM 531 – 1,602 kHz (9 kHz steps)
	FM1, FM2 87.5 – 108 MHz (50 kHz steps)
<b>Maximum output:</b>	5 mW + 5 mW (EIAJ 32 ohms)
<b>Power sources:</b>	DC 3 V using two size AA (R6) dry cell batteries
	AC house current using the optional AC adaptor Aiwa AC-D302
<b>Maximum outside dimensions:</b>	81.9 (W) × 111 (H) × 28.8 (D) mm (excluding projecting parts and controls)
	3 1/4 × 4 3/8 × 1 3/16 in.
<b>Weight:</b>	Approx. 130 g (4.6 oz.) excluding batteries
<b>Accessories:</b>	Stereo headphones (1)
	Remote control (1)

The specifications and external appearance of this unit are subject to change without notice.